



A Benny Lee Company

LOW PROFILE HOODS

DESKTOP ACCESSORIES

FEATURES

DuraComm's desk top hoods are designed to provide radio mounting to any of our desk top power supplies. These covers are customized to fit various radio models. If you do not see the radio model you are looking for, please contact us at sales@duracomm.com or give us a call.



*LPH-KEN/L shown

SECTION GUIDE

HARRIS (M/A COM)

Radio Model	Hood Unit
HDM150	LPH-HYT/L
M7100	LPH-KEN/L
M7300	LPH-KEN/L
Unity XG-100M	LPH-KEN/L

HYTERA

Radio Model	Hood Unit
MD78X	LPH-HYT/L
MD612	LPH-MOT/S

ICOM

Radio Model	Hood Unit
F221S	LPH-ICOM 221S
F621	LPH-KEN/S
F5021	LPH-ICOM 221S
F5061	LPH-KEN-81
F6011	LPH-ICOM 221S
F6021	LPH-ICOM 221S
F6061	LPH-KEN-81
A110	LPH-ICOM 221S



Left : Motorola XPR 5550 w/LPH-MOT/CDM
Right: Motorola XPR 2500 w/LPH-MOT-PM/VTX

KENWOOD

Radio Model	Hood Unit
30 Series	LPH-KEN/L
40 Series	LPH-KEN/S
60 Series	LPH-KEN/S
80 Series	LPH-KEN/S
90 Series	LPH-KEN/L
NEXEDGE 700	LPH-KEN-81
NEXEDGE 800	LPH-KEN-81
TK 705 / 805	LPH-KEN/S
TK 5710 / 5810	LPH-KEN/L
TK 7150 / 8150	LPH-KEN/L
TK 6110	LPH-KEN-81
TK 7120	LPH-KEN-81
TK 7160 / 8160	LPH-KEN-81
TK 7180 / 8180	LPH-KEN-81
TK 7360 / 8360	LPH-KEN-81
NX-5000 Series	LPH-KEN/M

VERTEX

Radio Model	Hood Unit
2200	LPH-MOT-PM/VTX
41-4200	LPH-MOT-PM/VTX
VTX-2100	LPH-MOT/S
VXD-2200	LPH-MOT/S
VX-5500 / 6000	LPH-VX5500

MAXON

Radio Model	Hood Unit
SM-2000	LPH-MAX/GE
SM-2540	LPH-MAX/GE

MIDLAND

Radio Model	Hood Unit
3215	LPH-MOT/CDM
3245	LPH-MOT/CDM
MO-1008	LPH-KEN-81
MO-1016	LPH-KEN-81
MO-4008	LPH-KEN-81
MO-4016	LPH-KEN-81

MOTOROLA

Radio Model	Hood Unit
APX-7500	LPH-MOT/L
ASTRO XTL	LPH-MOT/L
CM 200 / 300	LPH-MOT-PM/VTX
GM-300	LPH-MOT/L
M-120	LPH-MOT/L
M-130	LPH-MOT/L
MOT-PM400	LPH-MOT-PM/VTX
MOTO / TRBO	LPH-MOT/S
SM-50	LPH-MOT/S
SM-120	LPH-MOT/S
XPR 2500	LPH-MOT-PM/VTX
XPR 4550	LPH-MOT/CDM
XPR 5350	LPH-MOT/CDM
XPR 5550	LPH-MOT/CDM



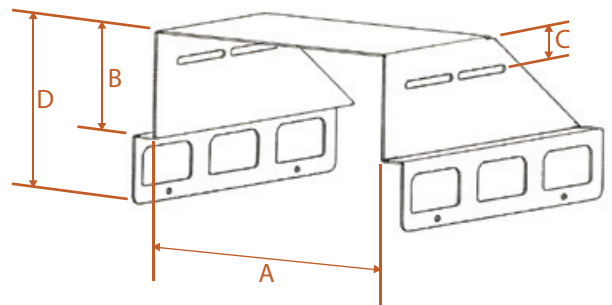
A Benny Lee Company

LOW PROFILE HOODS

DESKTOP ACCESSORIES

DIMENSIONS

Model Number	A	A	B	B	C	C	D	D
LPH-HYT/L	6 13/16"	173 mm	2 1/2"	64 mm	(2) 1 3/8"	(2) 35 mm	4 1/4"	108 mm
LPH-ICOM 221S	5 7/8"	149.2 mm	2 5/8"	67 mm	(2) 3/4"	(2) 19 mm	4 5/8"	117 mm
LPH-KEN/S	5 5/8"	142.8 mm	1 5/8"	41 mm	(2) 3/4"	(2) 19 mm	3 5/8"	92 mm
LPH-KEN/M	6 3/4"	171.4 mm	2 1/2"	64 mm	(2) 1 1/4"	(2) 32 mm	4 1/4"	108 mm
LPH-KEN/L	7 1/16"	179.3 mm	2 1/2"	64 mm	(3) 1 1/4"	(3) 32 mm	4 1/4"	108 mm
LPH-KEN-81	6 5/16"	160.3 mm	2 5/8"	67 mm	(2) 1"	(2) 25 mm	4 1/2"	114 mm
LPH-MOT/S	6 5/8"	168.2 mm	2 1/4"	57 mm	(1) 1 1/8"	(1) 29 mm	4"	102 mm
LPH-MOT/L	7 1/16"	179.3 mm	2 3/16"	56 mm	(1) 1"	(1) 25 mm	4"	102 mm
LPH-MOT/CDM	6 5/8"	168.2 mm	2 1/4"	57 mm	(1) 1"	(1) 25 mm	4 1/8"	105 mm
LPH-MOT-PM/VTX	6 5/8"	168.2 mm	2 1/2"	64 mm	(2) 1 1/8"	(2) 29 mm	4 5/16"	110 mm
LPH-MAX/GE	6 3/4"	171.4 mm	2 3/8"	60 mm	(1) 1"	(1) 25 mm	4 1/4"	108 mm
LPH-VX5500	7 1/16"	179.3 mm	3 1/4"	83 mm	(2) 3/4"	(2) 19 mm	4 4/16"	110 mm



Model shown is for descriptive purposes only. Each model design will vary based on the radio it is meant to house.



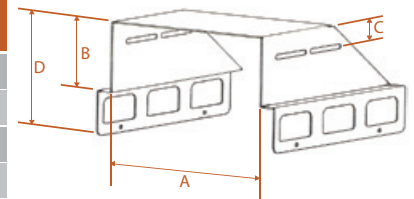
A Benny Lee Company

LOW PROFILE HOODS

HOOD COMPATIBILITY CHART by RADIO MODEL

Radio	Low Profile Hood
Maxon	
SM-2000 Series, SM-2540	LPH-MAX/GE
Midland	
3215/3245	LPH-MOT/CDM
MO-1008, MO-1016, MO-4008, MO-4016	LPH-KEN-81
Motorola Radio Models	
SM-50, SM-120, MOTO/TRBO	LPH-MOT/S
APX-7500, ASTRO XTL, GM-300, M-120, M-130	LPH-MOT/L
XPR 2500, CM200, CM200d, CM300, CM300d, PM400	LPH-MOT-PM/VTX
XPR 4000 series, XPR 5000 series, XPR 5000e series (oversized front panel), XPR-5550	LPH-MOT/CDM
Kenwood Radio Models	
TK-705, 760, 762, 780, 805, 840, 860, 862, 880, 940, 941, 980	LPH-KEN/S
NX-5700, 5800, 5900	LPH-KEN/M
TK-630, 730, 830, 930, 931HD, 90 Series, TK-5710/5810, TK-7150/8150	LPH-KEN/L
TK-6110, TK-7120, TK-7180/8180, TK-7160/8160, TK-7360/8360, NX-3720HG/3820HG, NEXEDGE 700/800	LPH-KEN-81
Hytera	
MD78x & MD78xG	LPH-HYT/L
MD612	LPH-MOT/S
Vertex	
EVX-5300/5400, VX-2100	LPH-MOT/S
VX-4500/4600, 4100/4200, 2200	LPH-MOT/VTX
VX-5500/6000	LPH-VX5500
ICOM	
F221S, IC-F5021, IC-F6011, IC-F6021, A110	LPH-ICOM/221S
F5061/6061	LPH-KEN-81
F621 TR	LPH-KEN/S
Tekk	
M-5000	LPH-ICOM/221S

Model Number	A	A	B	B	C	C	D	D
LPH-HYT/L	6 13/16"	173 mm	2 1/2"	64 mm	(2) 1 3/8"	(2) 35 mm	4 1/4"	108 mm
LPH-ICOM 221S	5 7/8"	149.2 mm	2 5/8"	67 mm	(2) 3/4"	(2) 19 mm	4 5/8"	117 mm
LPH-KEN/S	5 5/8"	142.8 mm	1 5/8"	41 mm	(2) 3/4"	(2) 19 mm	3 5/8"	92 mm
LPH-KEN/M	6 3/4"	171.4 mm	2 1/2"	64 mm	(2) 1 1/4"	(2) 32 mm	4 1/4"	108 mm
LPH-KEN/L	7 1/16"	179.3 mm	2 1/2"	64 mm	(3) 1 1/4"	(3) 32 mm	4 1/4"	108 mm
LPH-KEN-81	6 5/16"	160.3 mm	2 5/8"	67 mm	(2) 1"	(2) 25 mm	4 1/2"	114 mm
LPH-MOT/S	6 5/8"	168.2 mm	2 1/4"	57 mm	(1) 1 1/8"	(1) 29 mm	4"	102 mm
LPH-MOT/L	7 1/16"	179.3 mm	2 3/16"	56 mm	(1) 1"	(1) 25 mm	4"	102 mm
LPH-MOT/CDM	6 5/8"	168.2 mm	2 1/4"	57 mm	(1) 1"	(1) 25 mm	4 1/8"	105 mm
LPH-MOT-PM/VTX	6 5/8"	168.2 mm	2 1/2"	64 mm	(2) 1 1/8"	(2) 29 mm	4 5/16"	110 mm
LPH-MAX/GE	6 3/4"	171.4 mm	2 3/8"	60 mm	(1) 1"	(1) 25 mm	4 1/4"	108 mm
LPH-VX5500	7 1/16"	179.3 mm	3 1/4"	83 mm	(2) 3/4"	(2) 19 mm	4 4/16"	110 mm



Model shown is for descriptive purposes only. Each model design will vary based on the radio it is meant to house.



Left : Motorola XPR 5550 w/LPH-MOT/CDM
Right: Motorola XPR 2500 w/LPH-MOT-PM/VTX